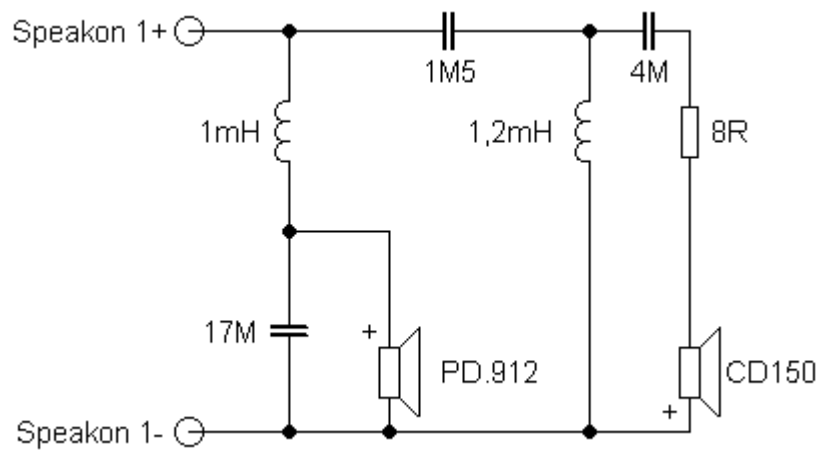


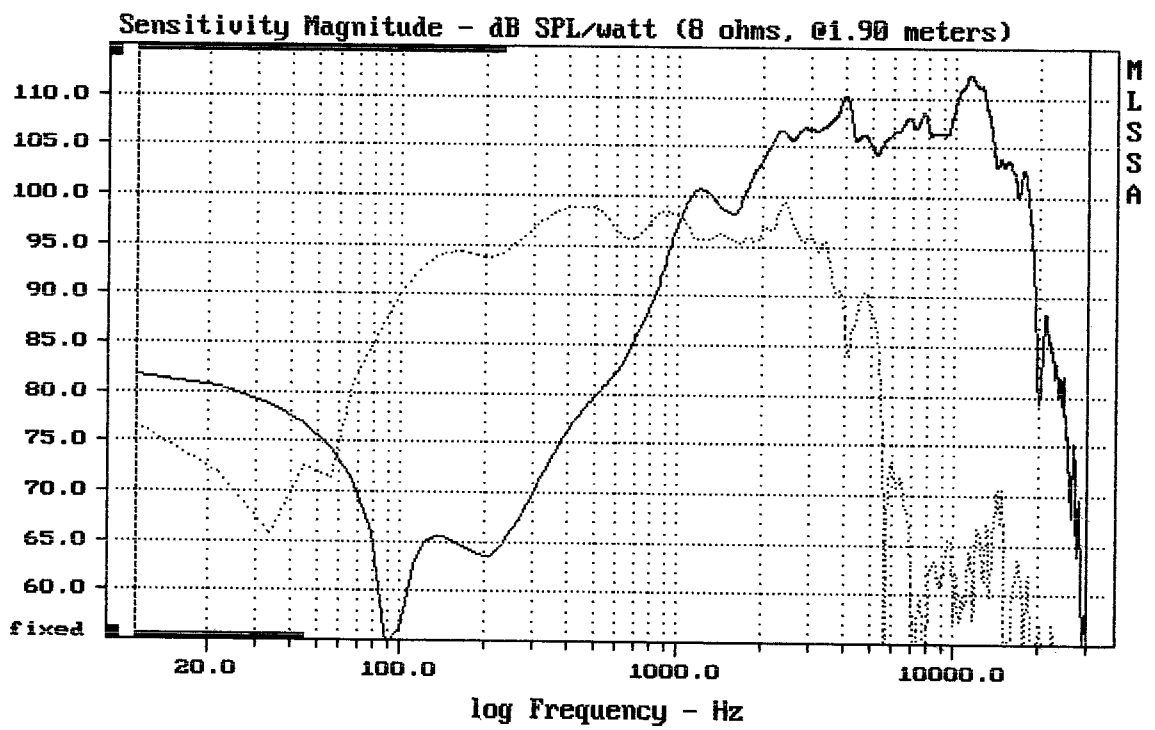
Sestava Precision Devices PD.912 + Fane CD150 + RCF H100

Osazení:

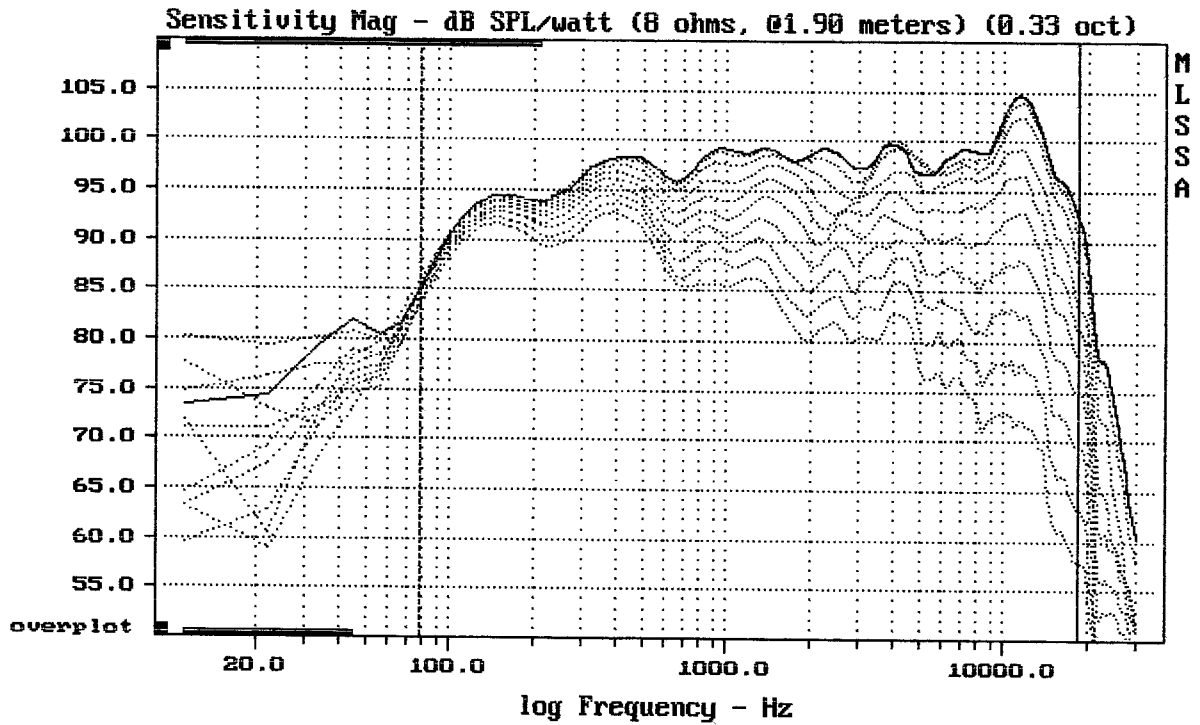
- Precision Devices PD.912 8/Ohm
<http://eshop.prodance.cz/DetailPage.asp?DPG=88543>
- Fane CD150 8/Ohm
<http://eshop.prodance.cz/DetailPage.asp?DPG=90670>
- RCF H100
<http://eshop.prodance.cz/DetailPage.asp?DPG=81599>

Schéma výhybky:





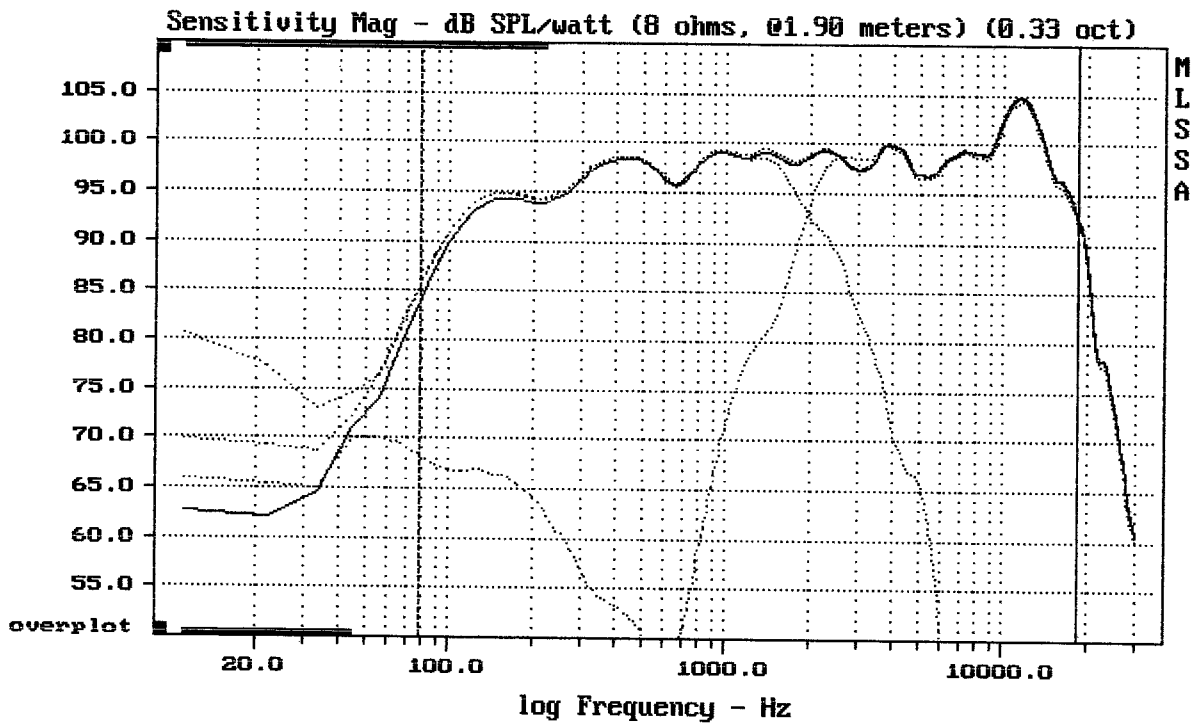
CURSOR: dy = -16.0729 x = 30007.1014 (2704)



Overlay Compare: dev= +25/-9.3, std= 8.2, avg= -26

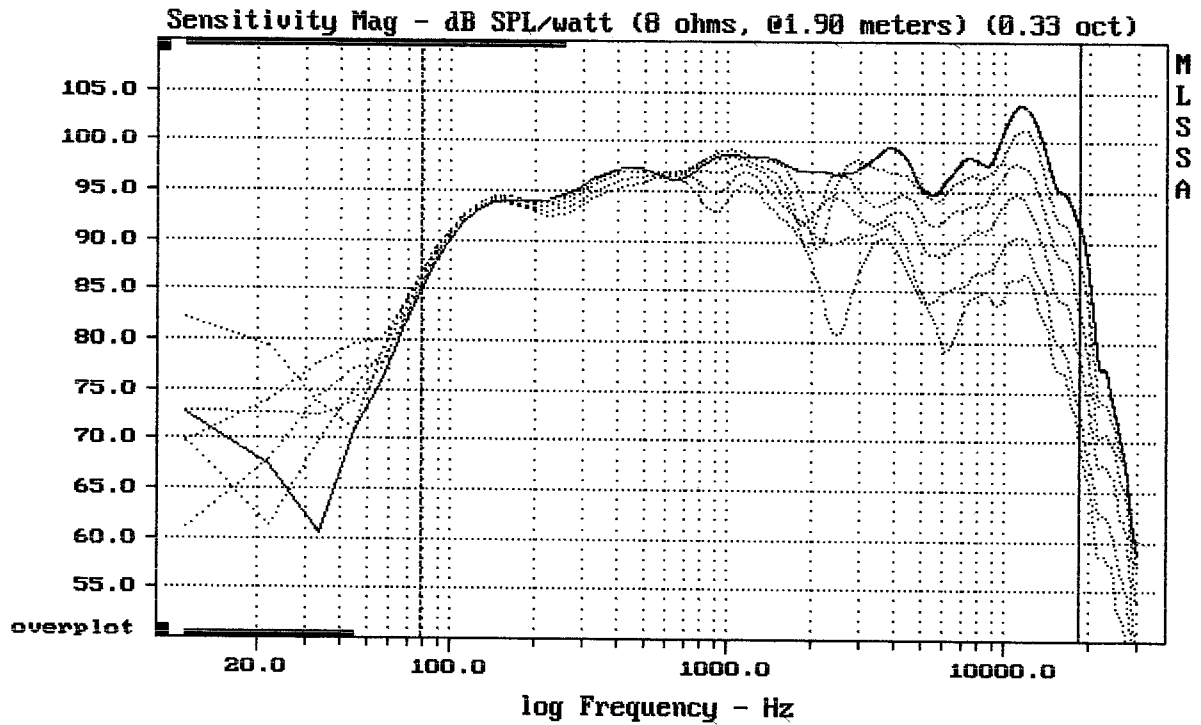
PD912+CD150+H100

MLSSA: Frequency Domain



Level (78:18510 Hz) = 98.35 dB SPL/watt (8 ohms, @1.90 meters) (0.33 oct)

PD912+CD150+H100

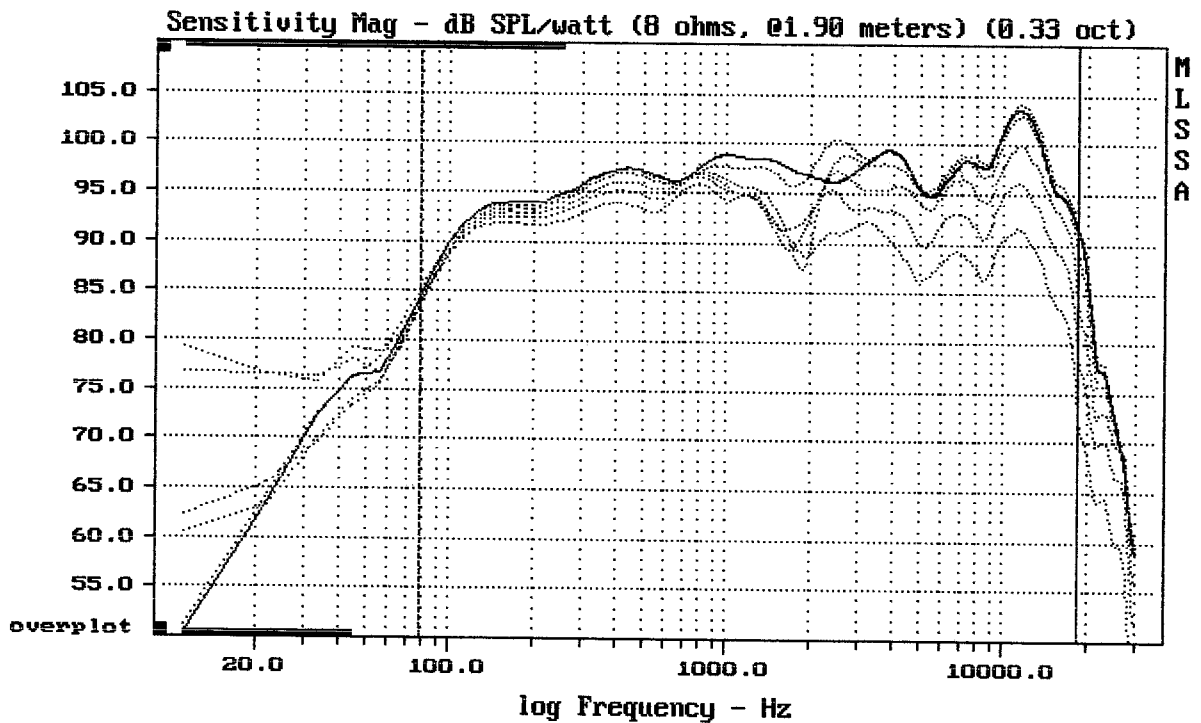


Overlay Compare: dev= +16/-7, std= 4.8, avg= -14

PD912+CD150+H100

0 - 50° dolby

MLSSA: Frequency Domain



Overlay Compare: dev= +9.5/-8.2, std= 3, avg= -9.9

PD912+CD150+H100

0 - 50° nahoru