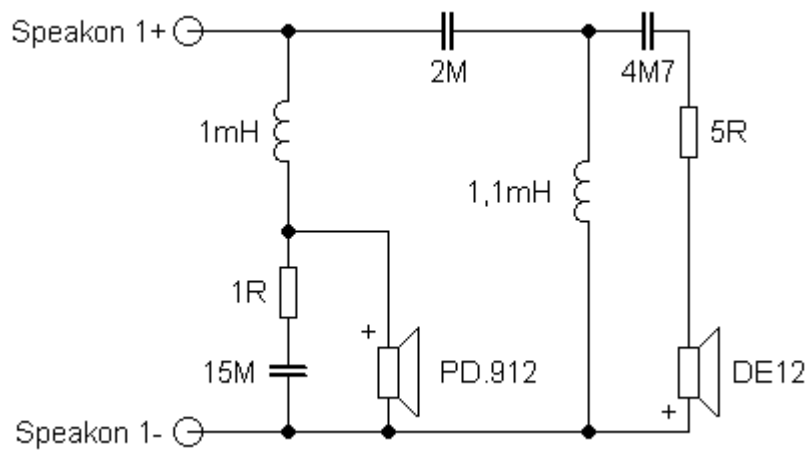


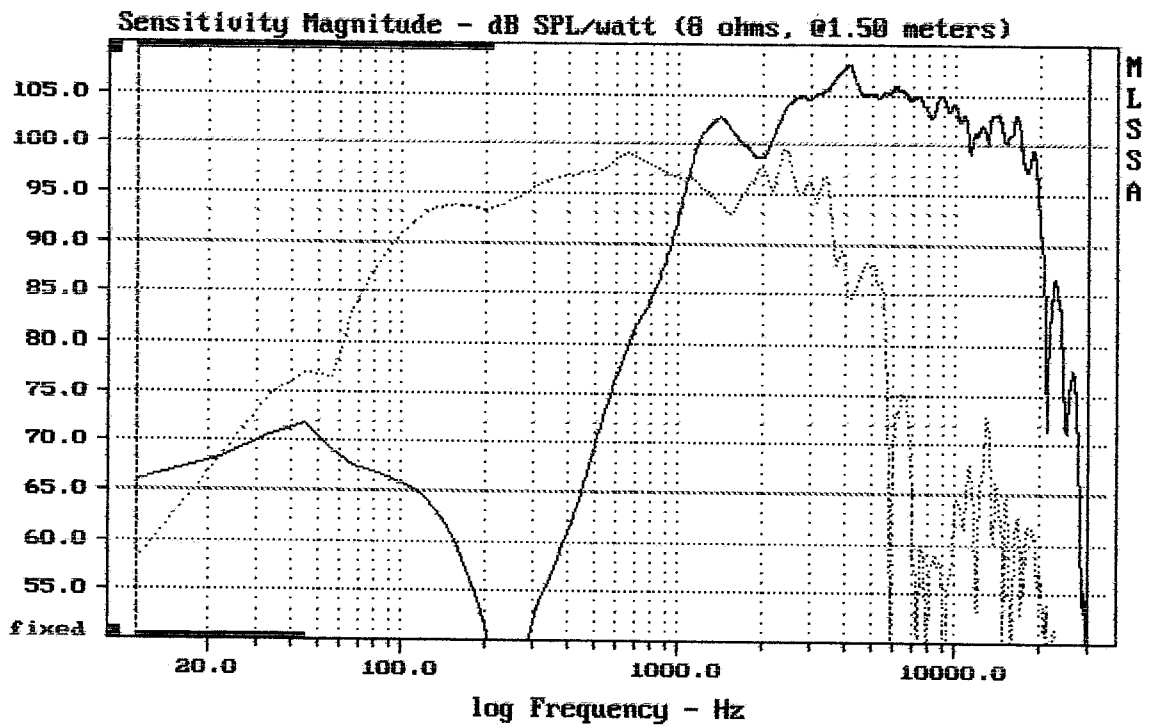
## Sestava Precision Devices PD.912 + B&C Speakers DE12 + RCF H100

### Osazení:

- Precision Devices PD.912 8/Ohm  
<http://eshop.prodance.cz/DetailPage.asp?DPG=88543>
- B&C Speakers DE12 8/Ohm  
<http://eshop.prodance.cz/DetailPage.asp?DPG=82296>
- RCF H100  
<http://eshop.prodance.cz/DetailPage.asp?DPG=81599>

### Schéma výhybky:






---

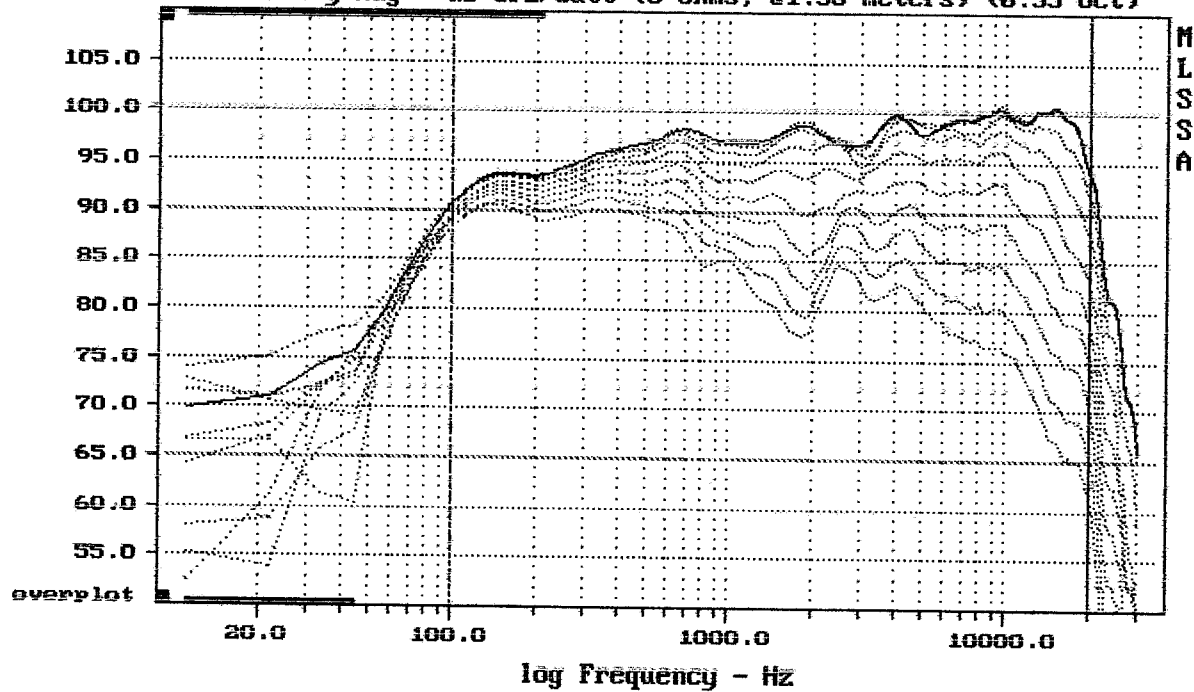
CURSOR:  $dy = -4.83274$   $x = 30007.1014$  (2704)

---

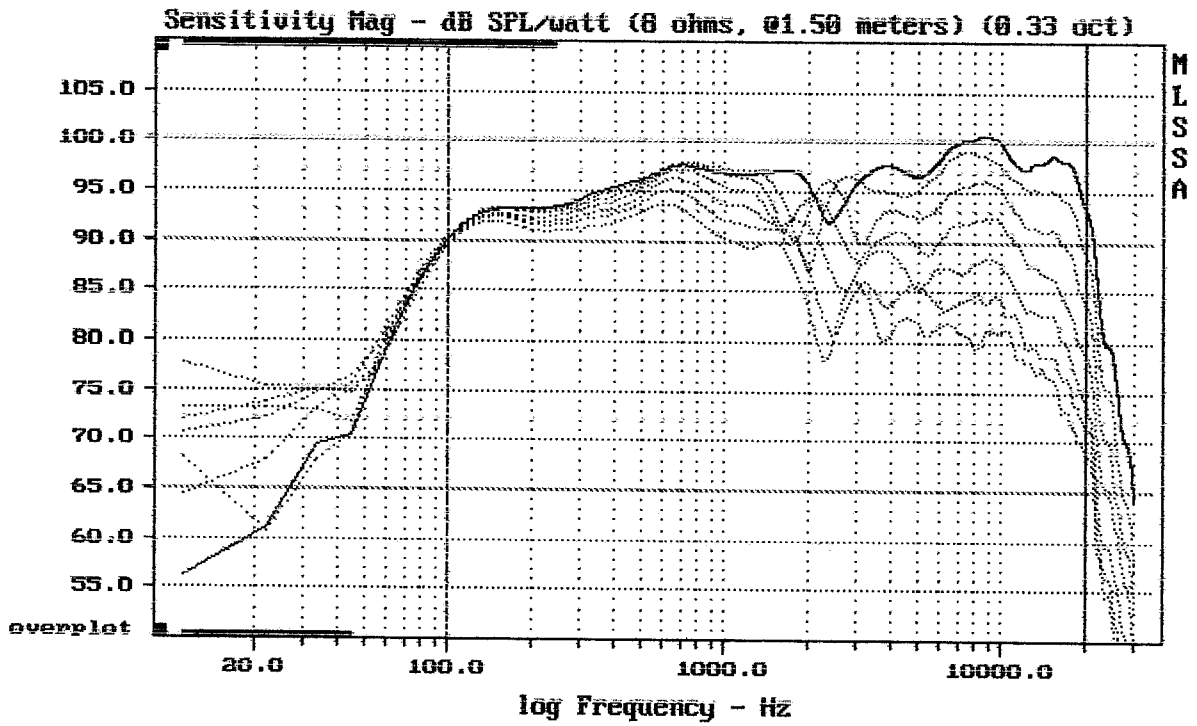
PD912+DE12+H100

MLSSA: Frequency Domain

Sensitivity Mag - dB SPL/watt (8 ohms, @1.50 meters) (0.33 oct)



Overlay Compare: dev= +22/-9.9, std= 7.5, avg= -25



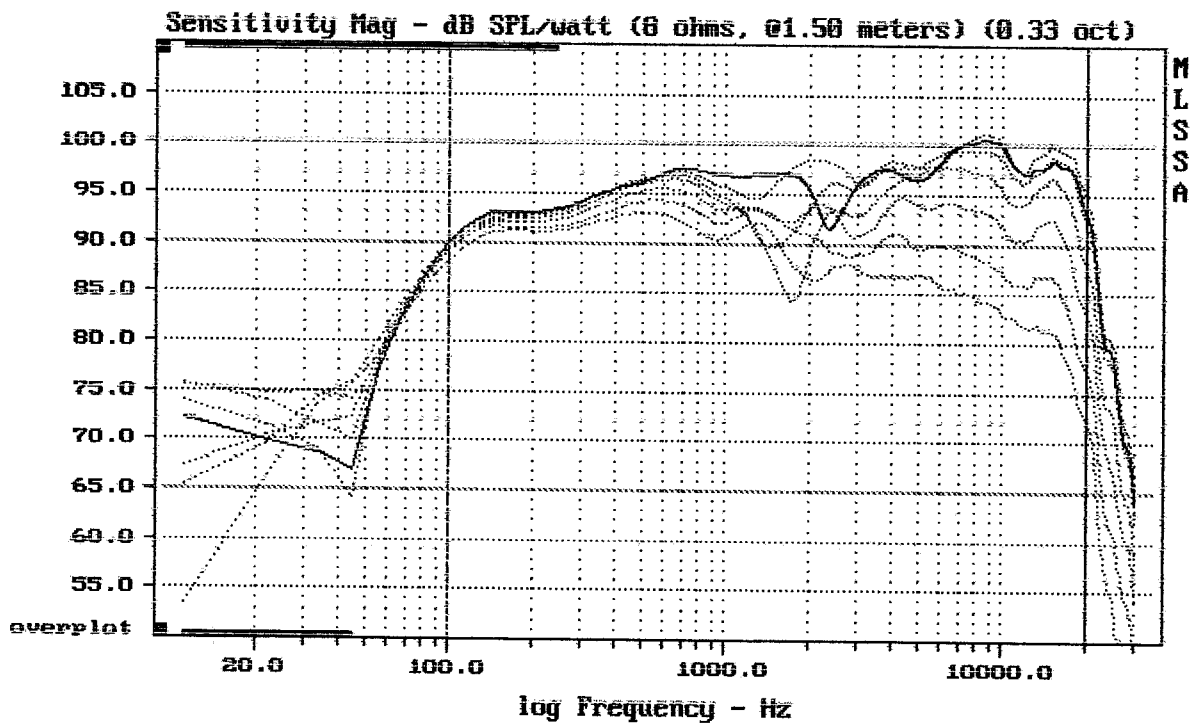

---

Overlay Compare: dev= +18/-7.6, std= 5.6, avg= -19

---

PD912+DE12+H100

MLSSA: Frequency Domain

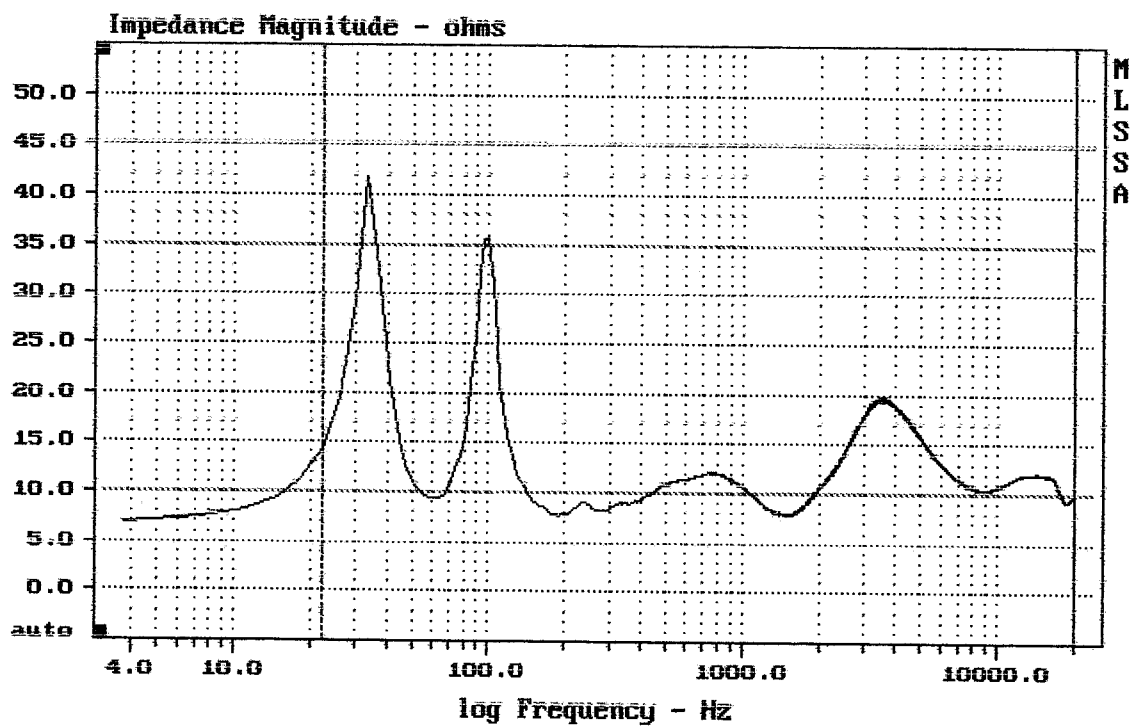



---

Overlay Compare: dev= +13/-7.5, std= 4.8, avg= -15

---

PD912+DE12+H100




---

mean: 12.01, rms: 12.31, std: 2.719, max: 41.66, min: 7.751

---