

## Sestava DAS Audio 12P + B&C Speakers DE12 + Megaton A9090

### Osazení:

- DAS Audio 12P 8/Ohm

<http://eshop.prodance.cz/DetailPage.asp?DPG=82731>

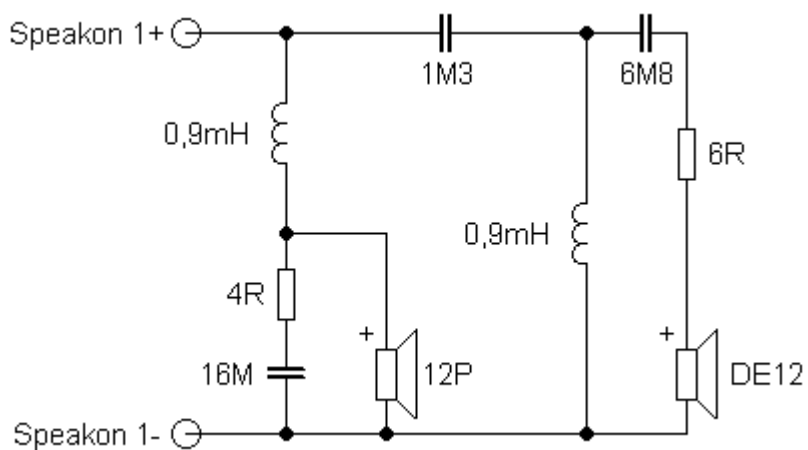
- B&C Speakers DE12 8/Ohm

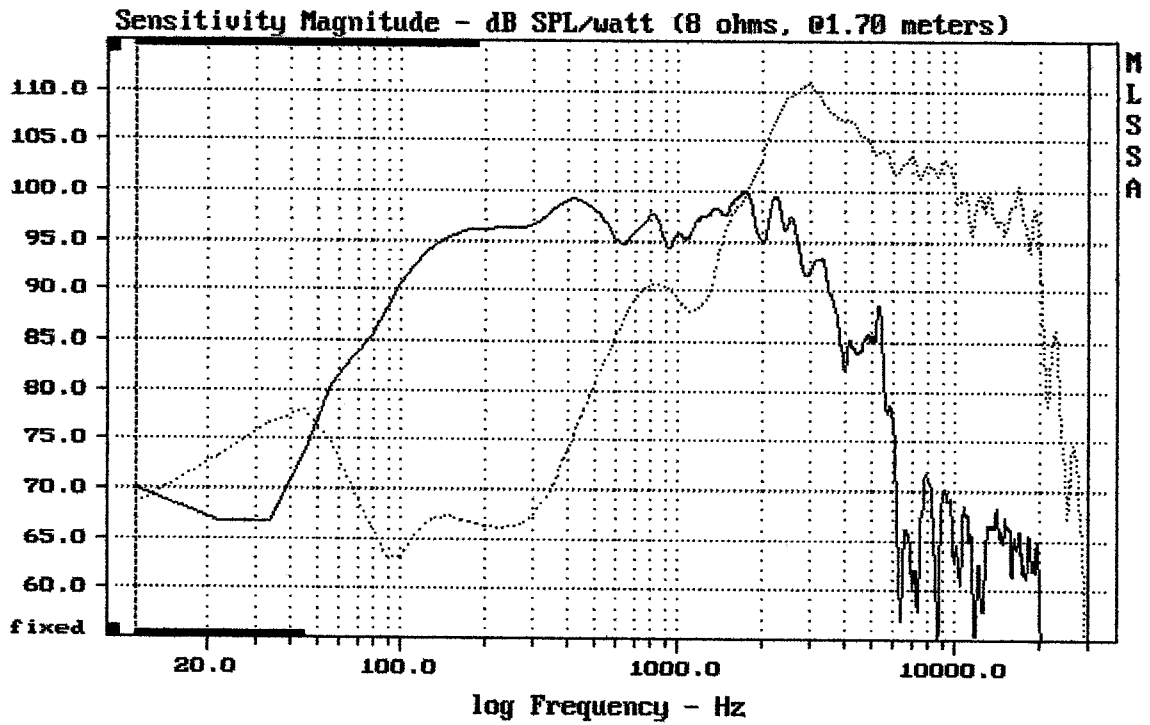
<http://eshop.prodance.cz/DetailPage.asp?DPG=82296>

- Megaton A9090

<http://eshop.prodance.cz/DetailPage.asp?DPG=83920>

### Schéma výhybky:

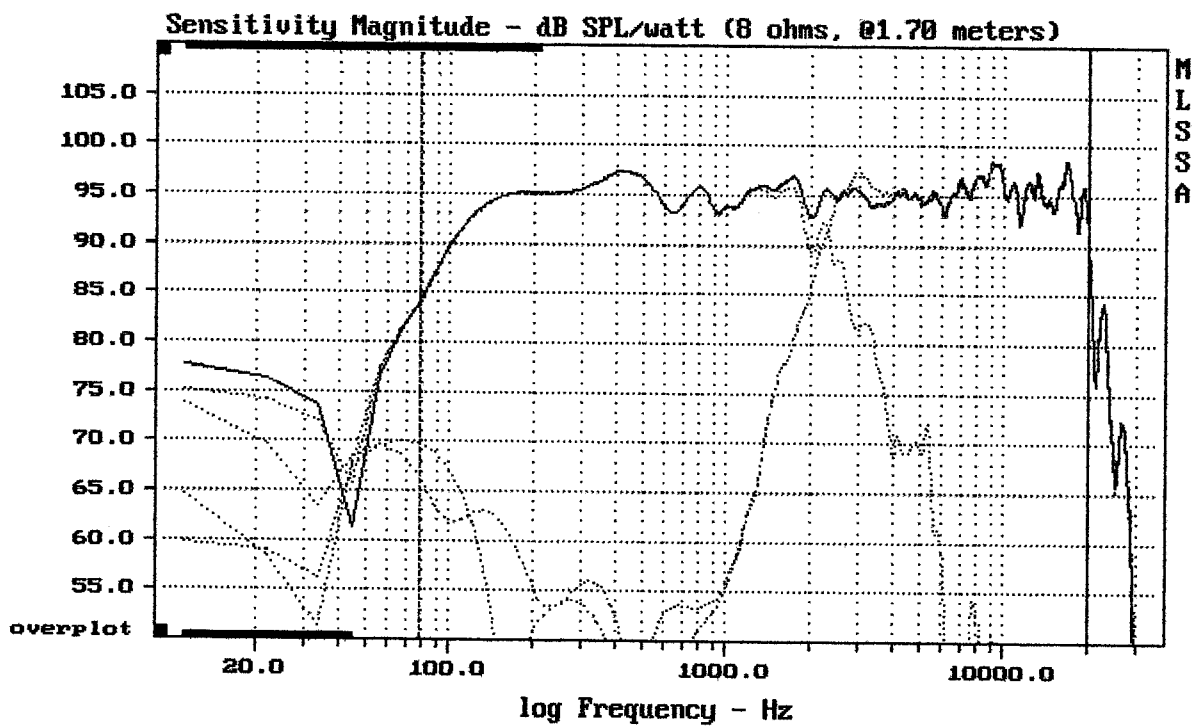




CURSOR:  $dy = 4.0475$   $x = 30007.1014$  (2704)

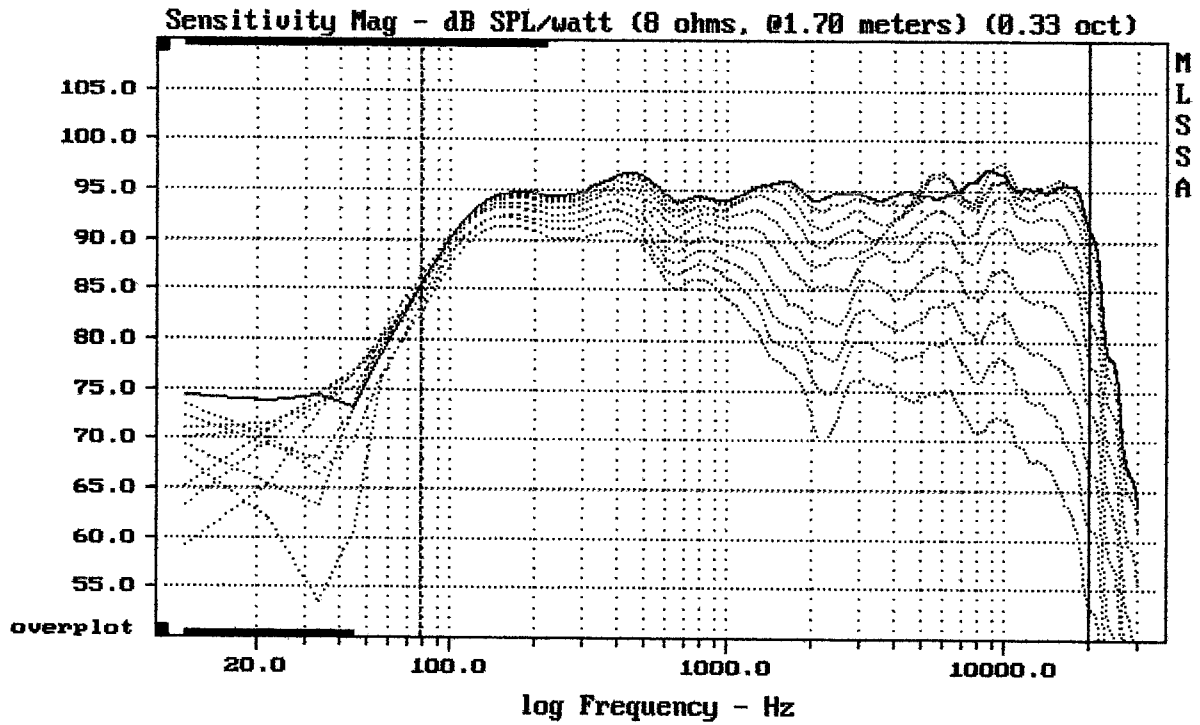
DAS 12-P + DE12 + A9090

MLSSA: Frequency Domain



Level (78:20000 Hz) = 95.05 dB SPL/watt (8 ohms, @1.70 meters)

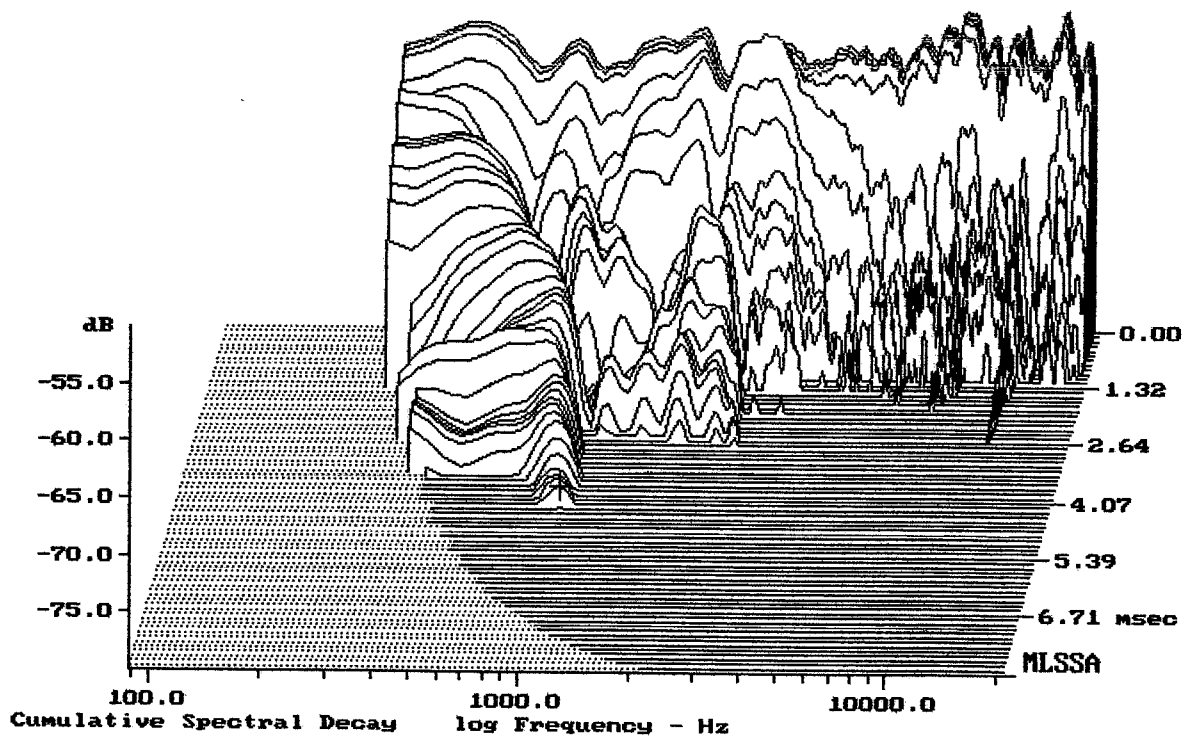
DAS 12-P + DE12 + A9090



Overlay Compare: dev= +22/-13, std= 6.8, avg= -25

DAS 12-P + DE12 + A9090

MLSSA: Frequency Domain



-78.44 dB, 977 Hz (22), 4.180 msec (39)