

Sestava B&C Speakers 10PS26 + DE12 + Megaton A1185

Osazení:

- B&C Speakers 10PS26 8/Ohm

<http://eshop.prodance.cz/DetailPage.asp?DPG=82648>

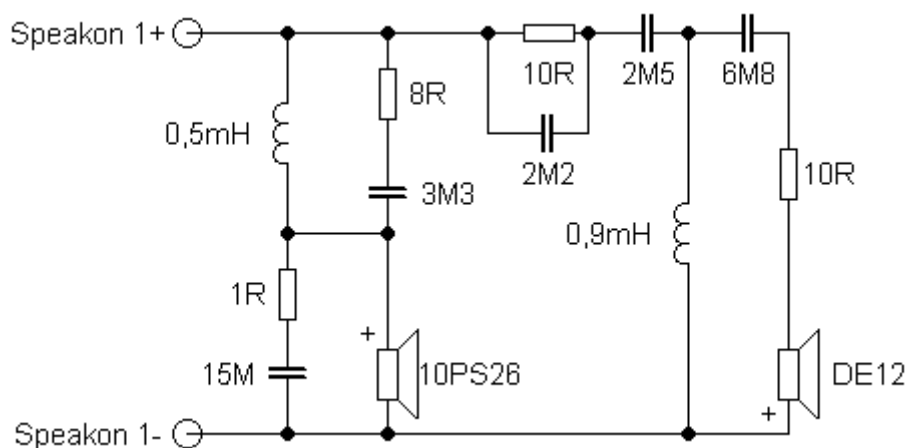
- B&C Speakers DE12 8/Ohm

<http://eshop.prodance.cz/DetailPage.asp?DPG=82296>

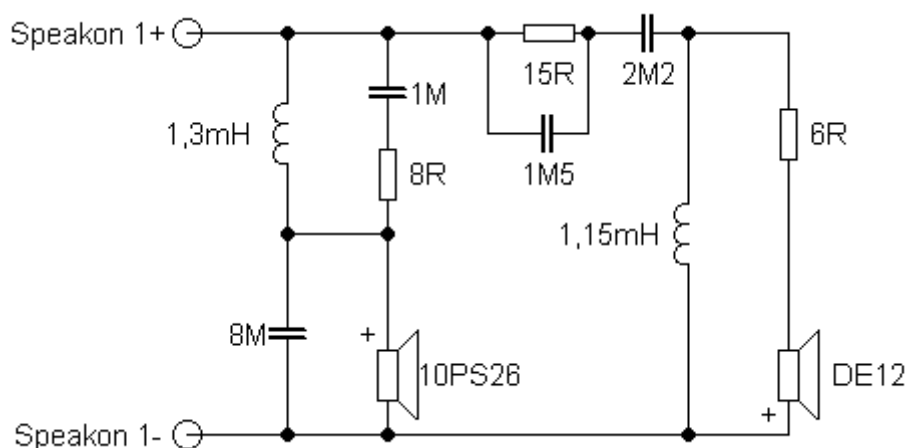
- Megaton A1185

<http://eshop.prodance.cz/DetailPage.asp?DPG=83840>

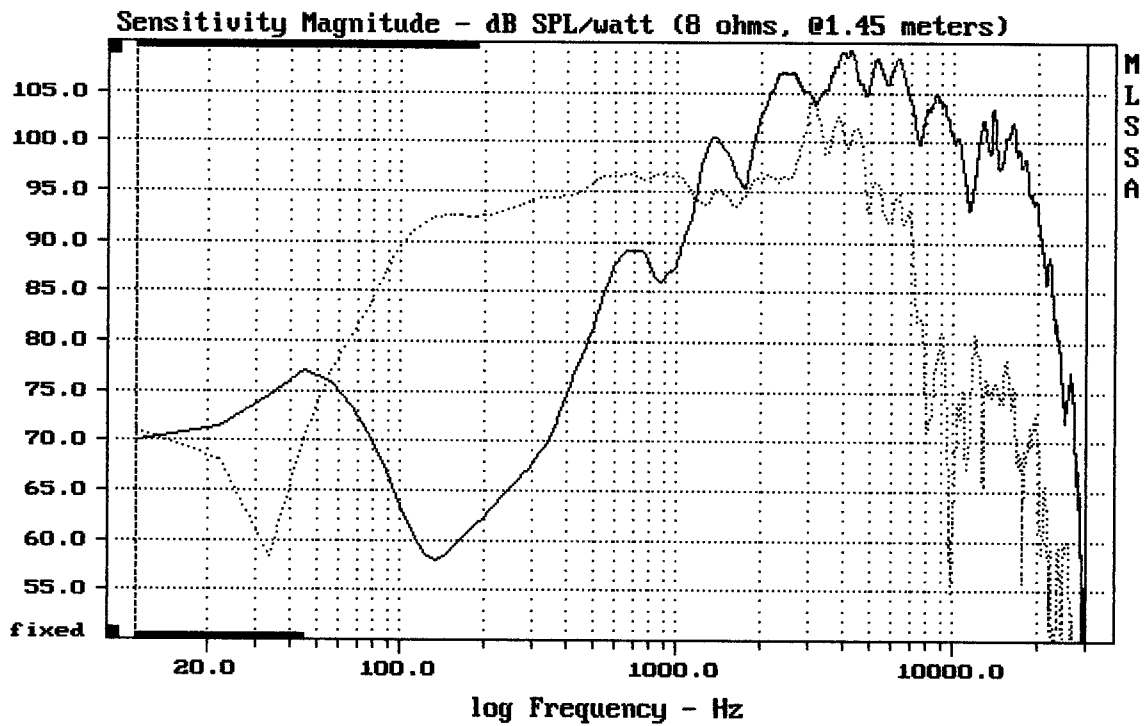
Schémata výhybek:



Varianta I.



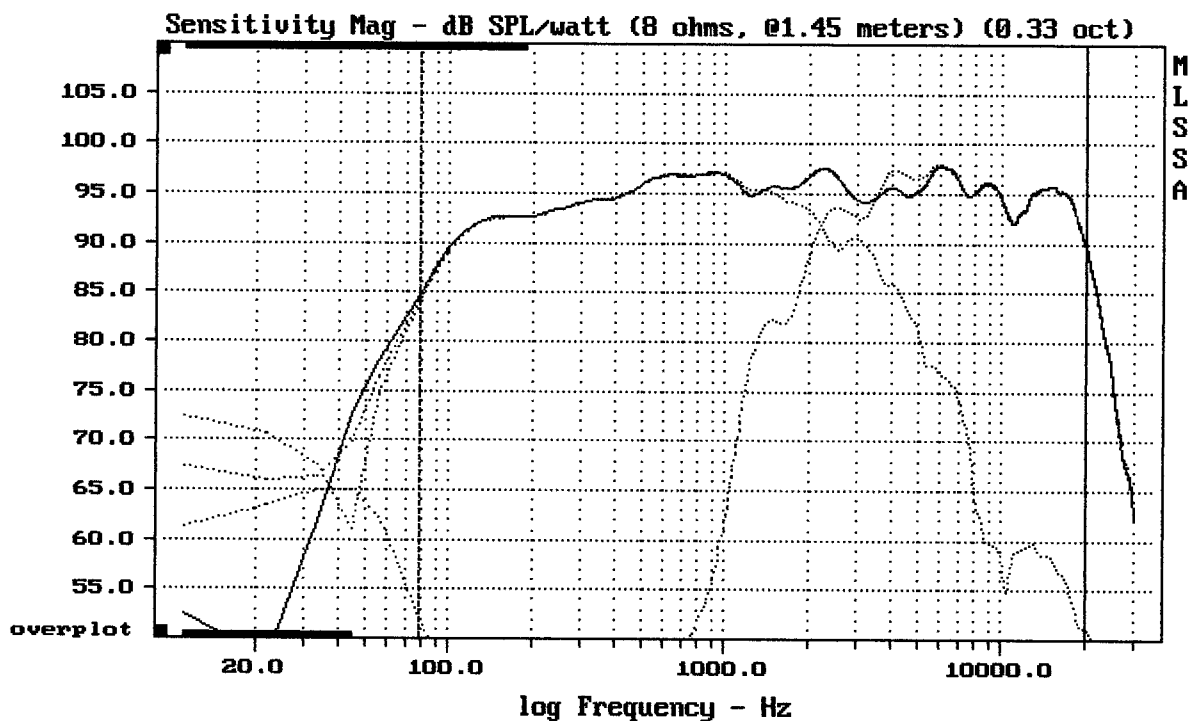
Varianta II.



CURSOR: $dy = 1.35192$ $x = 30007.1014$ (2704)

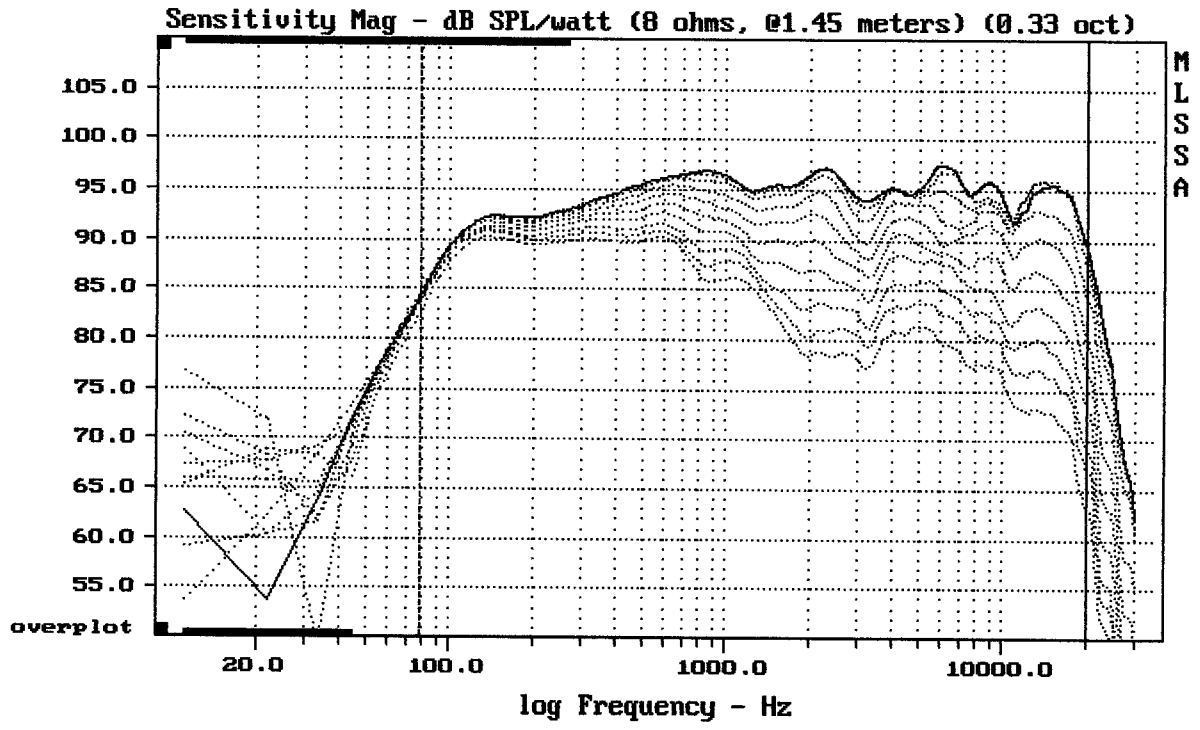
10PS26 + DE12 + A1185

MLSSA: Frequency Domain



Level (78:20008 Hz) = 95.00 dB SPL/watt (8 ohms, @1.45 meters) (0.33 oct)

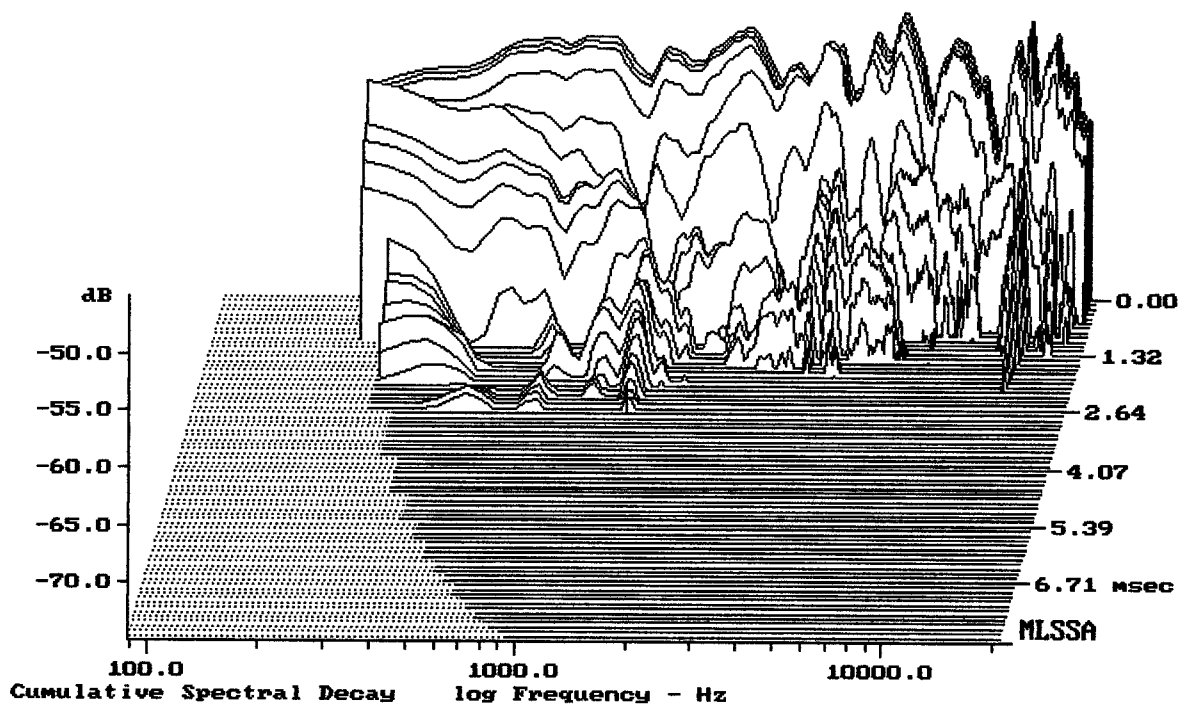
10PS26 + DE12 + A1185



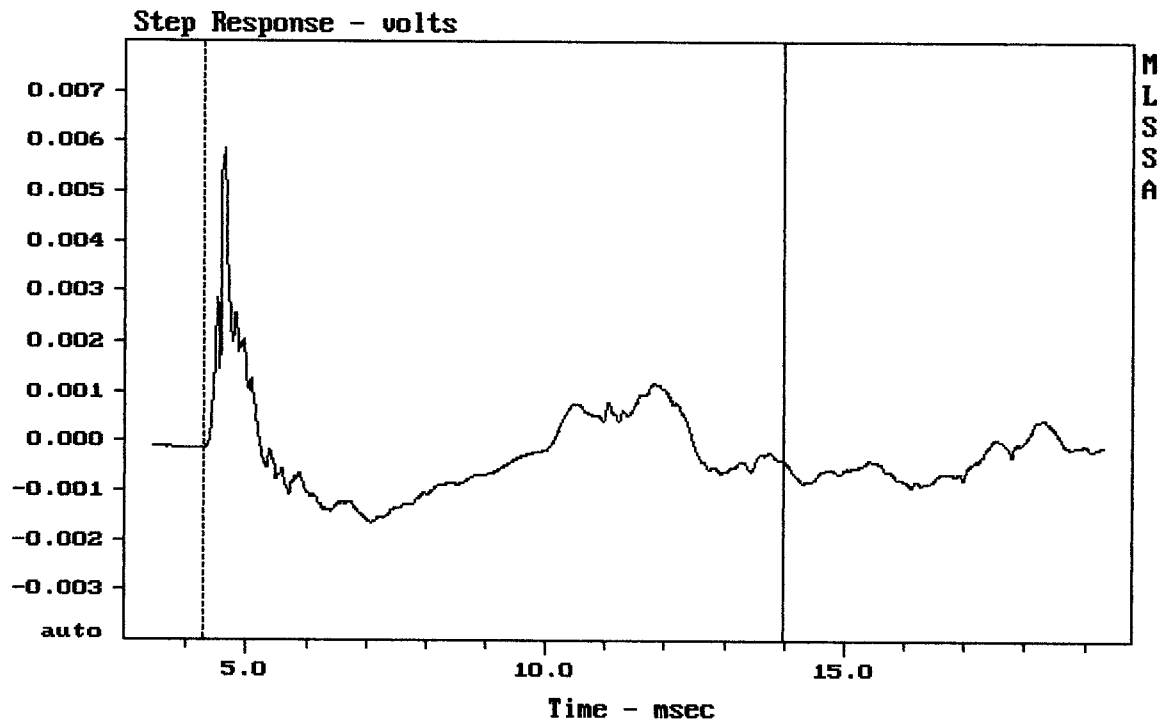
Overlay Compare: dev= +18/-7.6, std= 4.8, avg= -19

10PS26 + DE12 + A1185

MLSSA: Frequency Domain



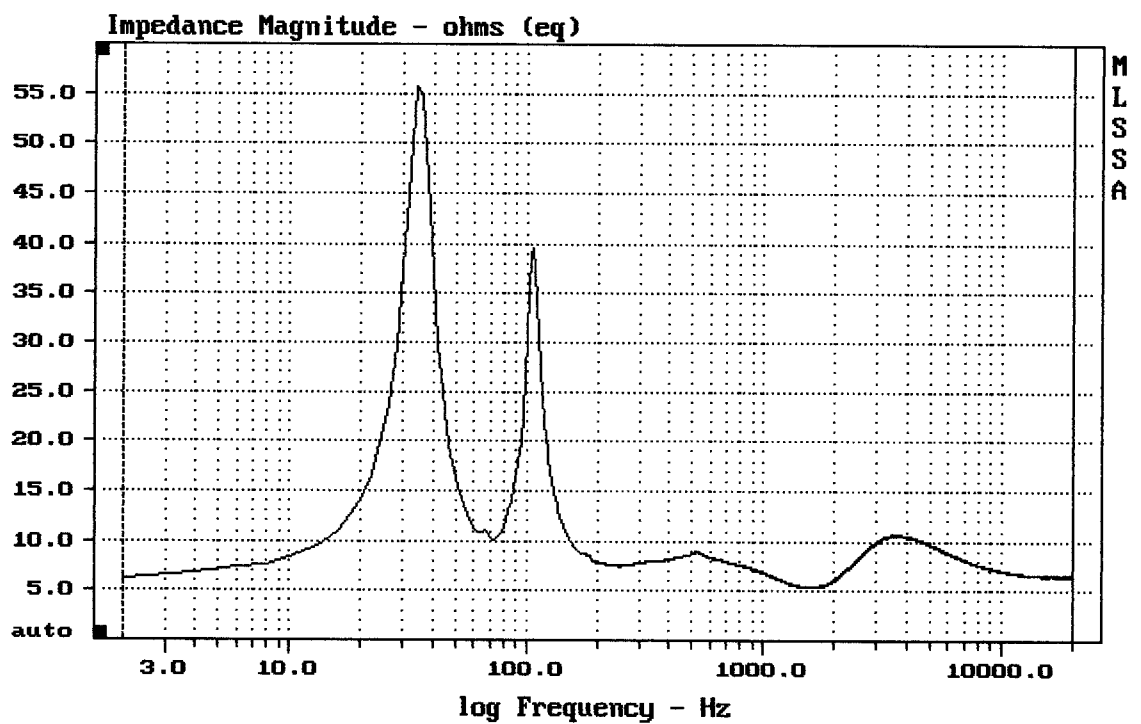
-74.08 dB, 1332 Hz (30), 2.640 msec (25)



mean: -0.000186, rms: 0.001105, std: 0.001089, max: 0.005869, min: -0.001653

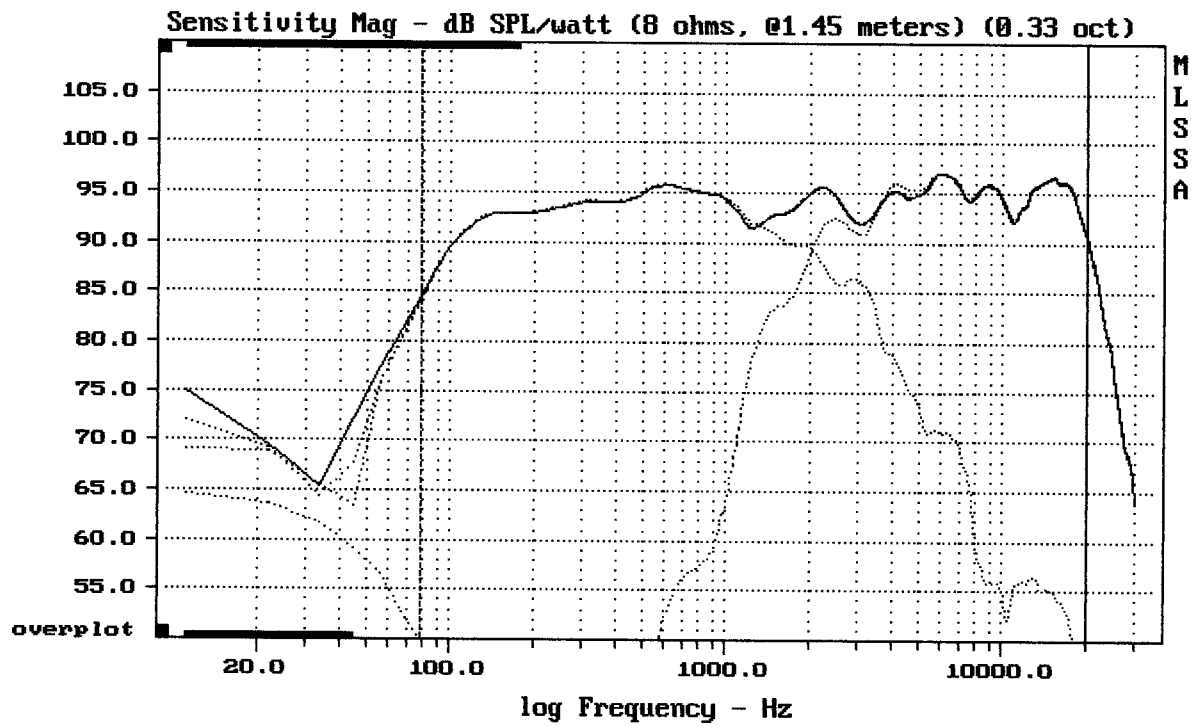
10PS26 + DE12 + A1185

MLSSA: Time Domain



mean: 7.529, rms: 7.77, std: 1.918, max: 55.64, min: 5.39

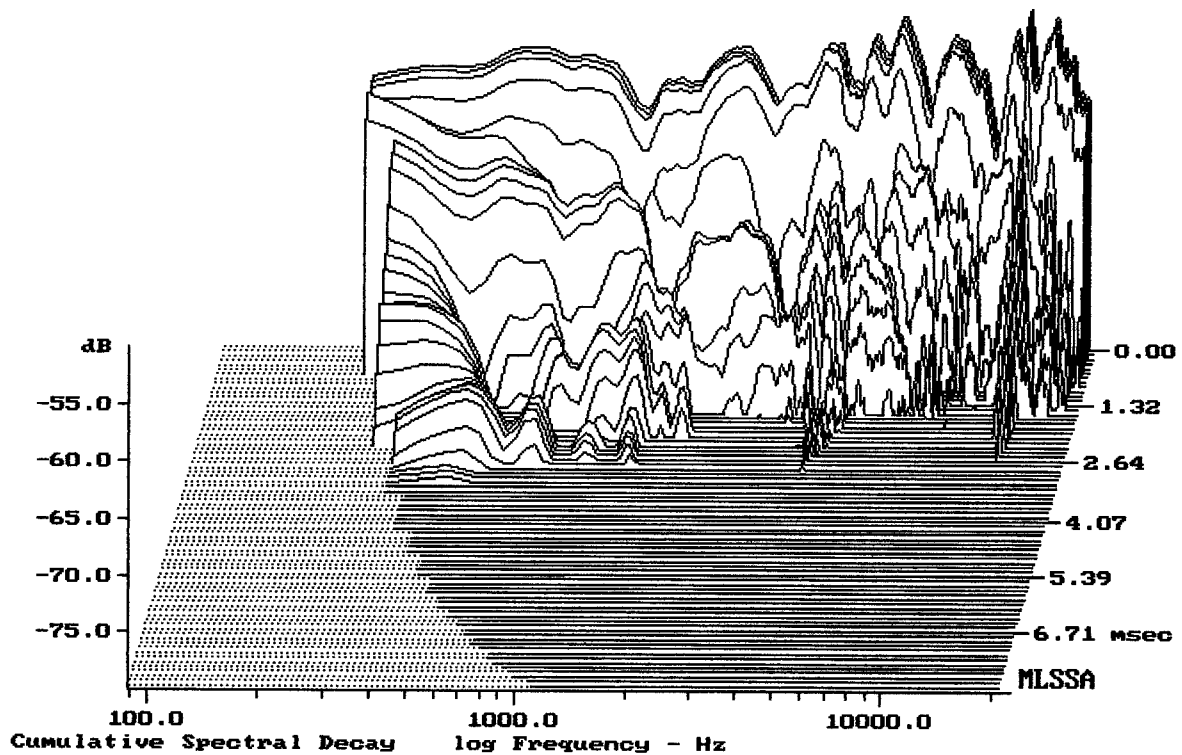
10PS26 + DE12 + A1185



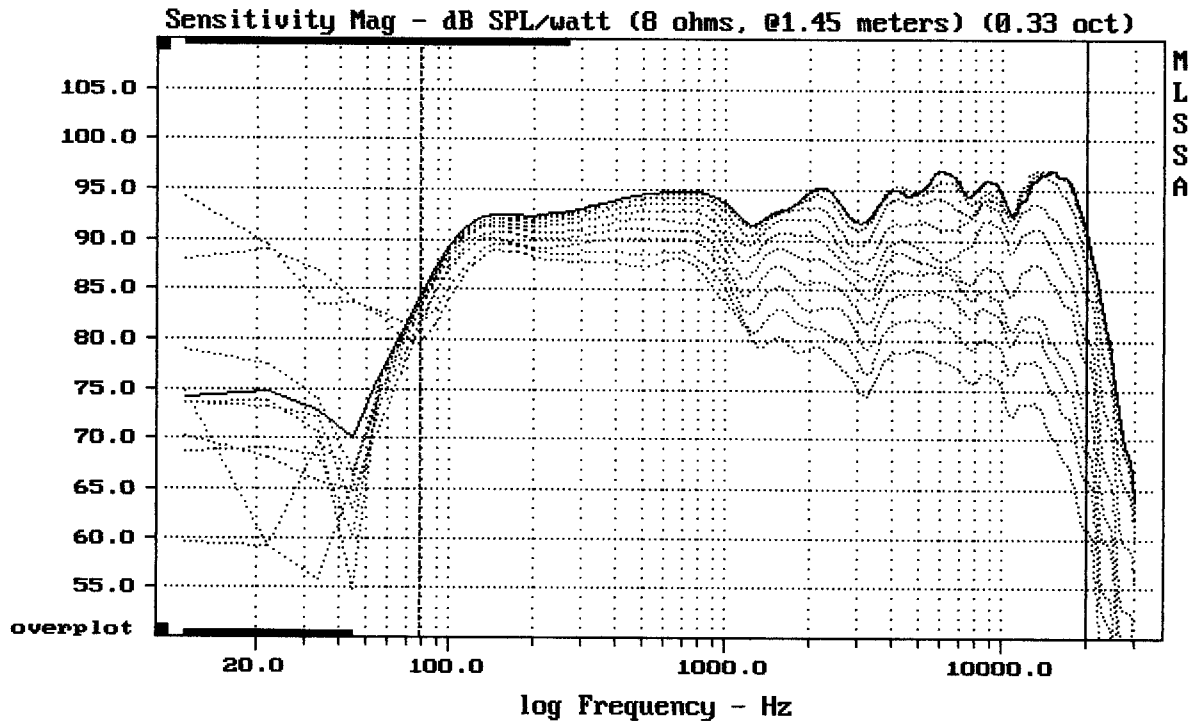
Level (78:19997 Hz) = 94.13 dB SPL/watt (8 ohms, @1.45 meters) (0.33 oct)

10PS26 + DE12 + A1185

MLSSA: Frequency Domain



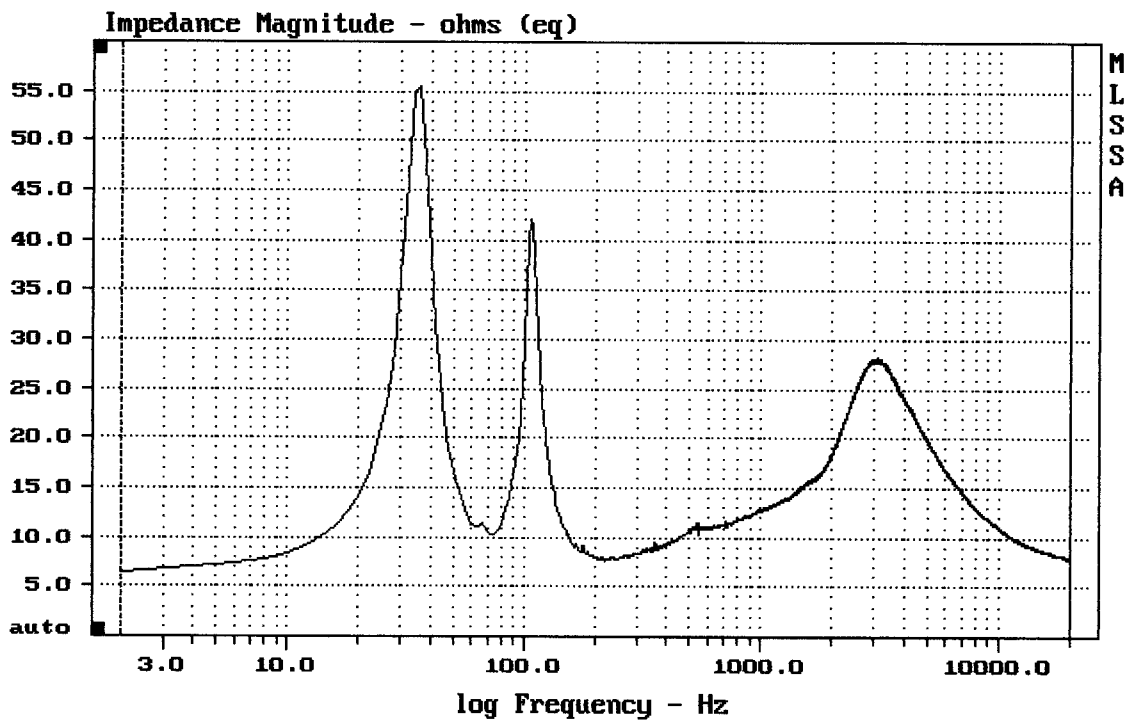
-78.70 dB, 4128 Hz (93), 2.640 msec (25)



Overlay Compare: dev= +17/-9.9, std= 6, avg= -21

10PS26 + DE12 + A1185

MLSSA: Frequency Domain



mean: 13.03, rms: 14.22, std: 5.694, max: 55.57, min: 6.49

10PS26 + DE12 + A1185